



Machines

## ASC Single Drum Rollers 7 – 25 t

[www.ammann-group.com](http://www.ammann-group.com)



## Powerful, Efficient, Safe

Outstanding safety, best compaction outputs and up-to-date design ensure highest efficiency and best results under hardest working conditions. Best quality of compaction with minimum number of passes brings more profit to the enduser.

### Operator's comfort and safety

- State of the art design, perfect visibility ensured (1 m x 1 m)
- Roomy, ergonomic cabin, ventilated and heated (platform version available)
- Accessibility of cab from both sides
- ROPS/FOPS protection of cabin and platform version
- All maintenance points easy accessible for safe and efficient service
- Simple and clearly laid out operating instruments

### Minimum operating costs

- Minimum number of passes to reach compaction targets
- Reliable engine with minimum fuel consumption
- Anti-corrosive protection of fuel tank – no big fuel filter needed
- Concept endurance and lifetime for longtime satisfaction

### Highest efficiency and reliability

- High performance vibration system, best values of static and dynamic loads, effective amplitudes
- Hydrostatic powertrain without rear axle for max. traction and stability
- Articulation joint with high capacity cross rolling bearing
- ACE system for measuring and automatic regulation of compaction parameters (option)

### Highest working output

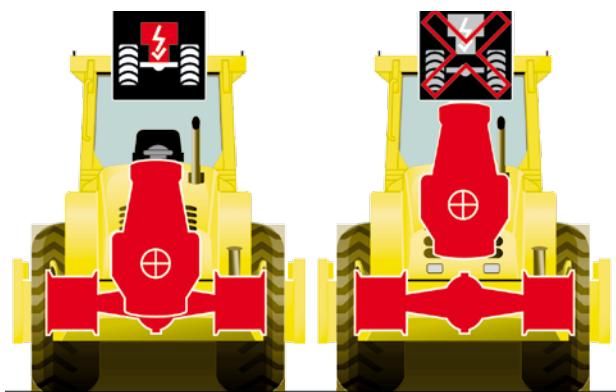
- Balanced drum for uniform compaction effect
- Highest values of the centrifugal forces and amplitudes
- Maximal depth effect



## Different Versions for all needs

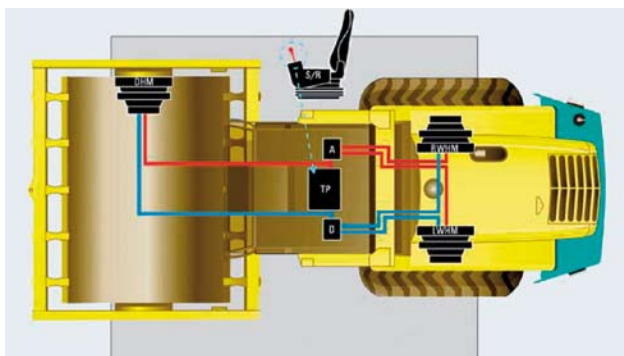
- D** Standard version for compaction applications with a smooth drum.
- PD** Padded drum rollers are designed for medium- and large-scale compaction of semi-cohesive and cohesive materials. Available for all models.

- HD** Heavy duty version for better traction abilities in heavy terrain – ATC system (interwheel, interaxle differential control), tyre ballast, tractor tyres and HD power drive.
- HT** High traction version for long time operation on slopes and landfills. ATC system, tyre ballast, tractor tyres and HT power drive.



ASC concept uses three Hydromotors for drum and independent rear wheel drive. This “no axle” solution allows very low emplacement of the engine, shortening wheelbase and covered contour of the machine.

Benefits are significant. Very low centre of gravity giving to ASC rollers outstanding stability in extreme terrains. Short wheelbase provides very small turning radius and best maneuverability. Compact design and contour ensured best visibility from cab onto working field and rear of the machine.



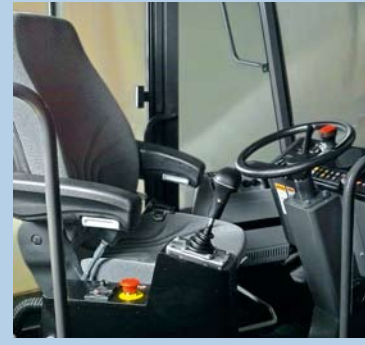
**Blue** = **D-Version**  
**Blue + Red** = **ATC-Version**



Accessible engine compartment and battery location



Tilting cabin for safe and easy maintenance and service



Integrated cockpit with rotating seat

### Efficient compaction

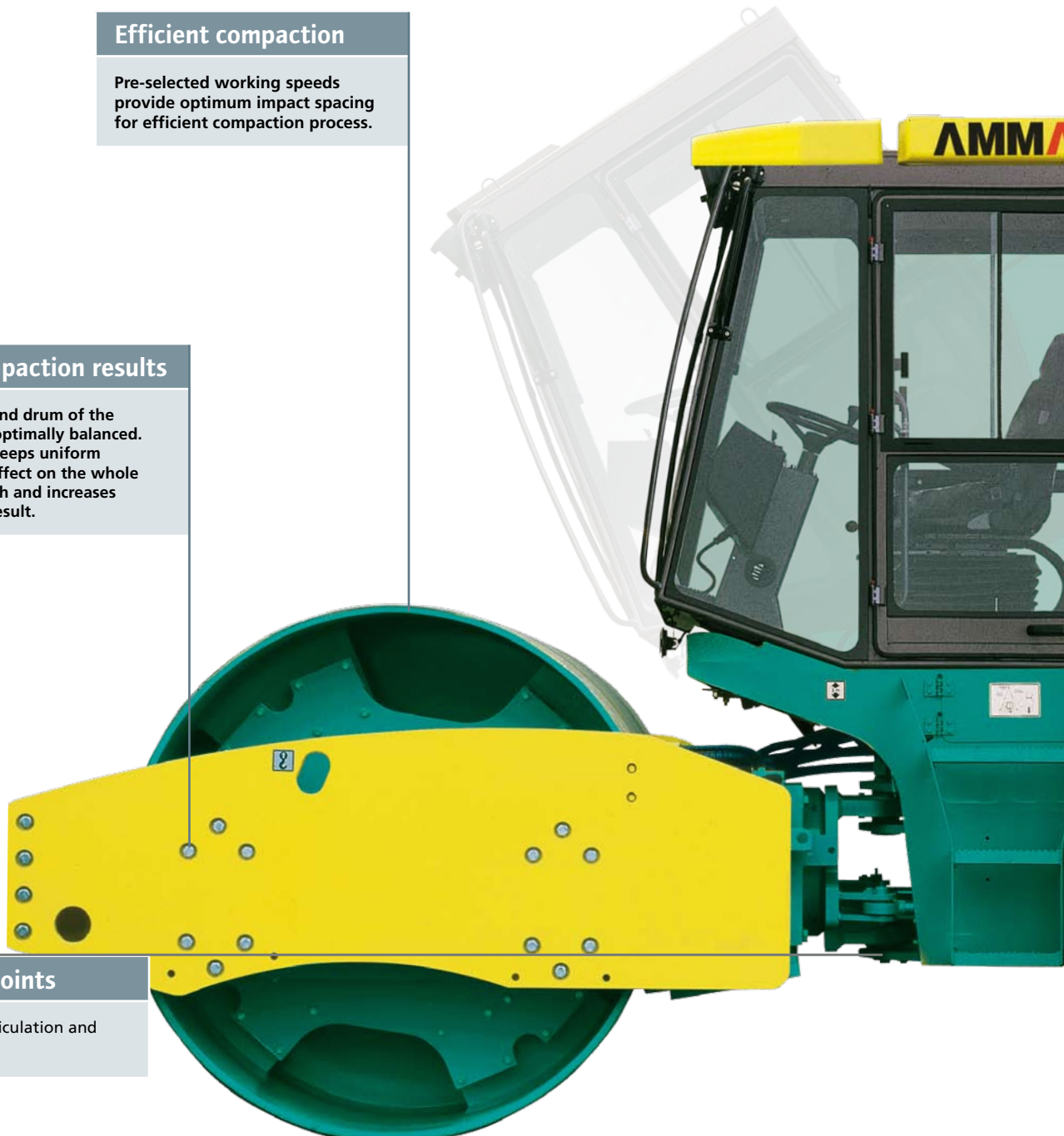
Pre-selected working speeds provide optimum impact spacing for efficient compaction process.

### Max. compaction results

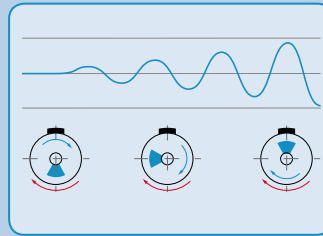
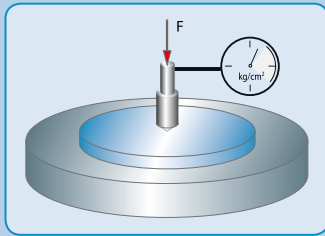
Front frame and drum of the machine are optimally balanced. This feature keeps uniform compaction effect on the whole working width and increases compaction result.

### Articulation joints

Double bearing articulation and oscillating joint.



# ASC Single Drum Rollers



### Optional equipment

ACE – Ammann Compaction Expert is the unique electronic measuring and controlling system for vibrating rollers. It automatically adjusts amplitudes and frequencies to suit the characteristic of the ground; optional printing device and GPS for Continuous Compaction Control (CCC).



### Accessibility

Electrohydraulic cabine and engine hood tilt for easiest and safest access of all maintenance and service.

### Long working intervalls

The large fuel tank (from 275 lt. of 7-tonner up to 405 lt. of 25-tonner) is able to extend working intervalls up to 32 hours.

### Hydrostatic drive

ASC machines are given great operational opportunities through Ammann's original concept of all wheel hydrostatic drive. Very low center of gravity ensures an outstanding stability of the machine in the heaviest terrain.

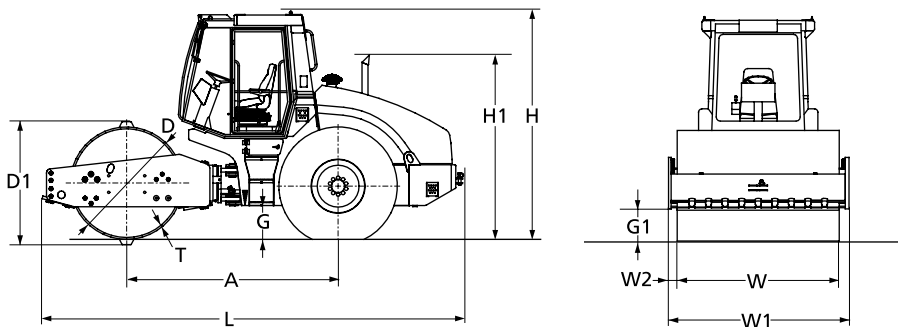


## Technical Specifications

	Type	ASC 70 D / HD,HT	ASC 90 D / HD,HT	ASC 110 D / HD,HT	ASC 130 D / HD,HT	ASC 150 D / HD,HT	ASC 200 D / HD,HT	ASC 250 D / HD,HT
<b>Weights</b>								
Operating weight CECE	kg	7140 / 7620	8820 / 8880	11495 / 12730	12400 / 13640	14380 / 15610	20705 / 21905	25330 / 25330
Operating weight max.	kg	7675 / 7735	8935 / 8995	12865 / 12900	13770 / 13810	15750 / 15785	22075 / 22075	25500 / 25500
Static linear load	kg/cm	23,9 / 24,3	31,6 / 32,0	32,4 / 32,6	36,8 / 36,7	46,4 / 46,5	63,2 / 63,2	78,4 / 78,4
Front axle load	kg	4020 / 4080	5315 / 5375	7130 / 7165	8035 / 8075	10200 / 10235	14150 / 14150	17570 / 17570
Rear axle load	kg	3120 / 3540	3505 / 3505	4365 / 5565	4365 / 5565	4180 / 5380	6555 / 7755	7760 / 7760
<b>Drum and wheels</b>								
Working width	mm	1680	1680	2200	2200	2200	2240	2240
Drum diameter	mm	1300	1300	1500	1500	1500	1700	1700
Shell thickness	mm	25	25	25	35	40	45	50
Tires	-	Mitas 14,9 - 24	Mitas 14,9 - 24	Mitas 23,1 - 26	Mitas 23,1 - 26	Mitas 23,1 - 26	Mitas 23,5 - 25	Mitas 23,5 - 25
	Type	ASC 70 PD / HDPD,HTPD	ASC 90 PD / HDPD,HTPD	ASC 110 PD / HDPD,HTPD	ASC 130 PD / HDPD,HTPD	ASC 150 PD / HDPD,HTPD	ASC 200 PD PD / HDPD,HTPD	ASC 250 PD / HDPD,HTPD
<b>Weights</b>								
Operating weight CECE	kg	7085 / 7565	8765 / 8825	11925 / 13160	12490 / 13730	14290 / 15525	20775 / 21975	25515 / 25515
Operating weight max.	kg	7650 / 7680	8880 / 8940	13295 / 13330	13860 / 13900	15660 / 15695	21845 / 22145	25685 / 25685
Front axle load	kg	4020 / 4025	5260 / 5320	7560 / 7795	8125 / 8165	10110 / 10145	14220 / 14220	17755 / 17755
Rear axle load	kg	3120 / 3540	3505 / 3505	4365 / 5565	4365 / 5565	4180 / 5380	6555 / 7755	7760 / 7760
<b>Drum and wheels</b>								
Working width	mm	1680	1680	2200	2200	2200	2240	2240
Drum diameter	mm	1240	1240	1440	1440	1440	1600	1600
Shell thickness	mm	15	15	20	25	28	30	30
No. of pads	-	104	104	140	140	140	150	150
Contact area per pad foot	cm <sup>2</sup>	114	114	120	120	120	143	145
Height of pad	mm	80	80	100	100	100	120	154
Tires	-	Mitas 14,9 - 24	Mitas 14,9 - 24	Mitas 23,1 - 26	Mitas 23,1 - 26	Mitas 23,1 - 26	Mitas 23,5 - 25	Mitas 23,5 - 25
<b>Engine</b>								
Engine make	-	Cummins	Cummins	Cummins	Cummins	Cummins	Cummins	Cummins
Type	-	B 4.5-C99 Tier II		QSB 4.5- C160 Tier III			QSB 6,7 - C 220 Tier III	
Rated power DIN 6271	KW/HP	74 / 101	74 / 101	119 / 158	119 / 158	119 / 158	153 / 208	153 / 208
<b>Drive</b>								
No. of travel speed	-	4	4	4	4	4	4	4
Max. speed	km/h	12	11	10,6	10,6	10	10,5	10
Max. speed - HD/HT	km/h	10 / 8,4	10,3 / 8,5	8,7 / 8	8,7 / 8	8,1 / 7	9,1 / 7,5	8,6 / 8,7
Gradeability with vib.	%	45	45	45	45	45	50	45
Gradeability - HD/HT	%	55 / 60	50 / 55	55 / 60	55 / 60	55 / 60	55 / 60	55 / 60
<b>Steering</b>								
Turning radius inside	mm	3090	3090	3050	3050	3050	3900	3900
Steering and oscillating angle	+ / - °	36 / 12	36 / 12	36 / 10	36 / 10	36 / 10	36 / 10	36 / 10
<b>Vibration</b>								
Amplitudes	mm	1,7 / 0,86	1,85 / 0,96	1,85 / 1,15	1,9 / 1	2,0 / 1,0	2,0 / 1,0	2,2 / 1,1
Frequencies	Hz	30 / 40	30 / 40	32 / 35	30 / 36	29 / 35	28 / 34	28 / 34
Centrifugal force	kN	145 / 130	160 / 145	277 / 206	300 / 200	325 / 237	400 / 300	460 / 340
<b>Capacities</b>								
Fuel	l	275	275	410	410	410	405	405

Dimensions in mm	A	D	D1	G	G1	H	H1	L	T	W	W1	W2
ASC 70	2560	1300		385	375	2870	2200	5195	25	1680	1880	95
ASC 70 PD	2560	1240	1400	385	375	2870	2200	5195	15	1680	1880	95
ASC 90	2560	1300		385	375	2870	2200	5195	25	1680	1930	120
ASC 90 PD	2560	1240	1400	385	375	2870	2200	5195	15	1680	1930	120
ASC 110	2820	1500		420	430	3030	2375	5686	25	2200	2436	118
ASC 110 PD	2820	1440	1640	420	430	3030	2375	5686	20	2200	2436	118
ASC 130	2820	1500		420	430	3030	2375	5686	35	2200	2436	118
ASC 130 PD	2820	1440	1640	420	430	3030	2375	5686	25	2200	2436	118
ASC 150	2820	1500		420	430	3030	2375	5686	40	2200	2500	142
ASC 150 PD	2820	1440	1640	420	430	3030	2375	5686	28	2200	2500	142
ASC 200	3160	1700		500	430	3265	2560	6300	45	2240	2500	120
ASC 200 PD	3160	1600	1840	500	430	3265	2560	6300	30	2240	2500	120
ASC 250	3290	1700		500	430	3265	2560	6560	50	2240	2500	120
ASC 250 PD	3290	1600	1908	500	430	3265	2560	6560	30	2240	2500	120

Dimensions of the HD and HT versions are identical.



PD shell kit



Dozer blade



Platform version

## Standard

- CE conformity - ROPS, TIER III, seat switch, noise reduction kit
- 2 mode vibratory system
- Working lights
- Cabin vented, heated
- Hydraulic testports
- Inter-wheel diff. lock
- Steel scrapers
- Manual tilting of hood/cab

### Special application kits

- ATC -Ammann Traction Control: Interaxle diff. lock
- PD shell kit
- Dozer blade
- Tyres ballast filling Working
- Vulcolan scrapers
- Engine pre-filter
- Engine speed indicator
- Padlock device for fuel tank inlet

## Optional items

### Operators platform and cabin

- Open platform w. guarding rails and sun roof
- Air conditioning
- Radio preparation with antenna
- Radio CD
- Electrohydraulic cabin and hood tilting

### Safety

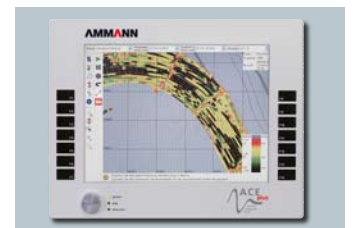
- Warning beacon
- Back-up alarm, fan
- Alternator safety screen
- Road lighting

### Compaction control and special

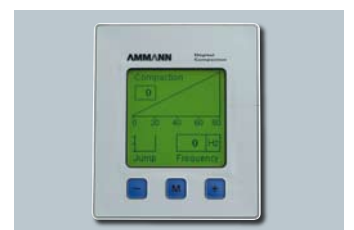
- ACE Ammann Compaction Expert with ADS and printer
- ADC Ammann Digital Compactometer
- ACEplus – ccc through ACEplus GPS

### Other

- Biological degradable hydr. oil (Panolin)
- Tools kit
- First service kit
- Fire distinguisher (Minimax)
- First aid package
- Special color/design of machine



ACEplus



ADC

Ammann distribution  
companies:

Switzerland:  
Ammann Schweiz AG  
CH-4901 Langenthal  
Tel +41 62 916 61 61  
Fax +41 62 916 65 40

Germany:  
Ammann Verdichtung GmbH  
D-53773 Hennef  
Tel +49 22 42 880 20  
Fax +49 22 42 880 259

Rammax Maschinenbau GmbH  
D-72555 Metzingen  
Tel +49 71 23 922 30  
Fax +49 71 23 922 350

Czech Republic:  
Ammann Czech Republic a.s.  
CZ-54901 Nové Město nad Metují  
Tel. +420 491 476 111  
Fax +420 491 470 215

France:  
Ammann France SA  
F-94046 Créteil/Cedex  
Tel +33 1 45 17 08 88  
Fax +33 1 45 17 08 90

United Kingdom:  
Ammann Equipment Ltd.  
GB-Warwickshire, CV37 OTY  
Tel +44 1789 414 525  
Fax +44 1789 414 495

USA:  
Ammann America Inc.  
US-Ponte Vedra, Florida 32082  
Tel +1 904 543 1691  
Fax +1 904 543 1781

Ammann manufacturing  
companies:

Switzerland:  
Ammann Schweiz AG  
CH-4901 Langenthal  
Tel +41 62 916 61 61  
Fax +41 62 916 64 03

Germany:  
Ammann Verdichtung GmbH  
D-53773 Hennef  
Tel +49 22 42 880 20  
Fax +49 22 42 880 259

Rammax Maschinenbau GmbH  
D-72555 Metzingen  
Tel +49 71 23 922 30  
Fax +49 71 23 922 350

Czech Republic:  
Ammann Czech Republic a.s.  
CZ-54901 Nové Město nad Metují  
Tel. +420 491 476 111  
Fax +420 491 470 215

